



# **EXTRAC**<sup>®</sup>

**DUAL PADDLE SWEEP**

[www.siuoxsteel.com](http://www.siuoxsteel.com)  
(800) 557-4689



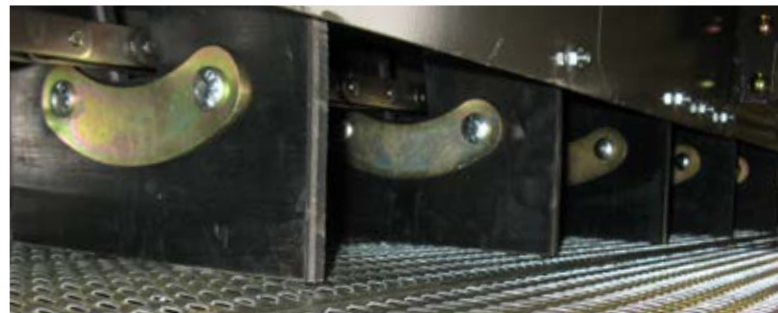
**HIGH  
CAPACITY  
MINIMAL  
ENTRY**



The EXTRAC Dual Paddle Sweep features position sensing logic allowing the two sweeps to more effectively clean the grain bin instead of the two sweeps fighting each other while rotating around the bin.

**BENEFITS**

- Provides the most efficient unloading because at least one of the sweeps is always running at full capacity.
- The sensor logic ensures that the sweeps can each be adjusted to the grain conditions on either side of bin.
- Independently rotating sweeps will momentarily shut down and automatically re-start if either falls behind or gets ahead of the other sweep. The independent rotation eliminates high stress at the center pivot.
- With the flexible rubber paddles, almost all of the grain is swept from bin floor.
  - The EXTRAC Sweep also makes for less auger sweep injuries, unnecessary entry into bins, and insurance claims!



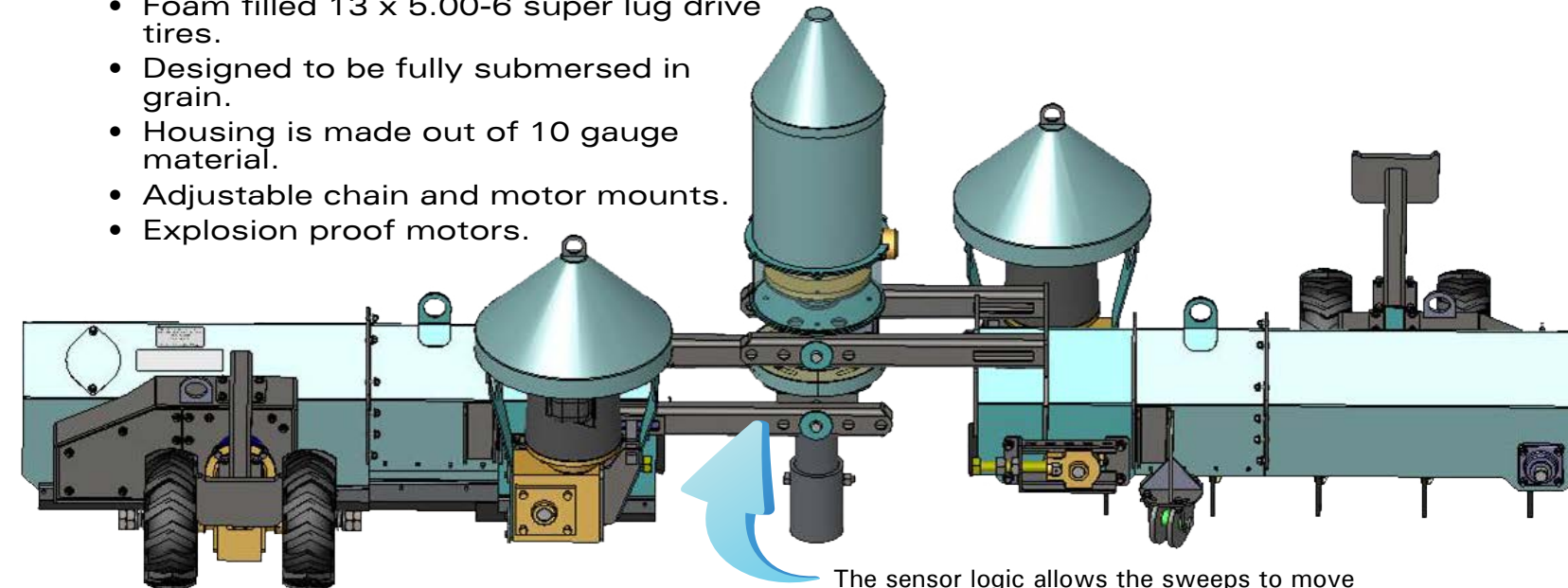
The flexible rubber paddles moves the grain gently and evenly to the sump.

**FEATURES**

- Can be manufactured to fit in bins up to 105' in diameter.
- Non jack system allows for minimal entry once dual sweeps have been started.
- 5,500 to 11,000 bushels per hour capacity.
- Lower input power requirement compared to other sweeps.
- Does not plug or stall when overrunning the sweeps.
- Foam filled 13 x 5.00-6 super lug drive tires.
- Designed to be fully submersed in grain.
- Housing is made out of 10 gauge material.
- Adjustable chain and motor mounts.
- Explosion proof motors.



The tires are designed to slip to keep the sweep from climbing the pile. This allows the sweep to clean very close to the floor.

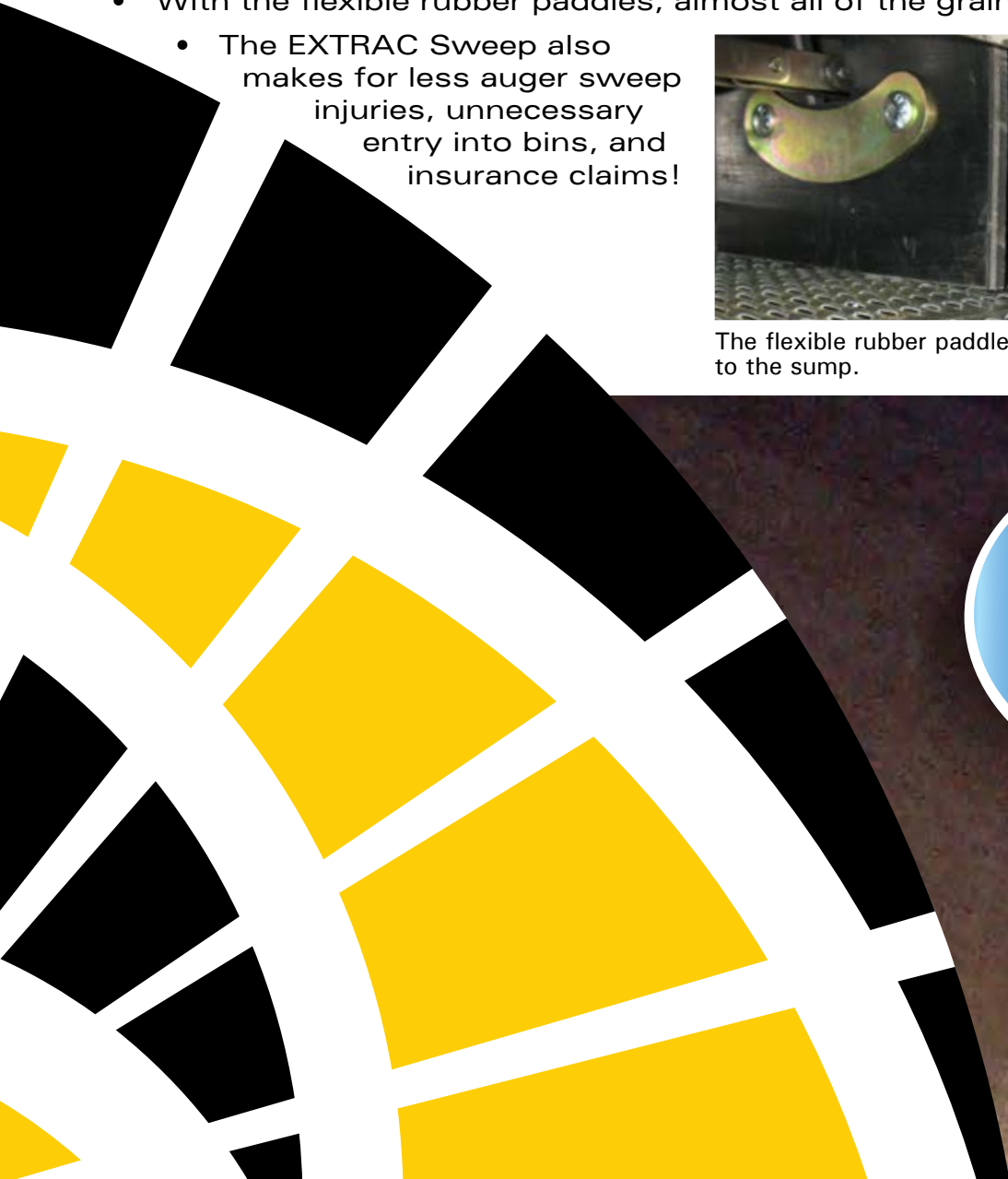


The sensor logic allows the sweeps to move independently of each other, adjusting to grain conditions on either side of the bin.

**CAN UNBURY ITSELF FROM A GRAIN AVALANCHE!**

"The dual sweep performed great! I was told the sweep would take grain at 11,000 bushel an hour and it did! The sweeps are very good at cleaning the floor. A light broom will finish once the dual sweeps have made a full revolution around the bin. The old bin sweep we had there was 2-3 inches of grain to scoop. The dual sweeps reduce labor and time. The dual sweep cleans our 105 foot bin in 10 hours before we had 3 to 4 days. No need to be in a bin with the dual sweeps. They take care of themselves!"

**Chad, AgFirst Farmers Cooperative**



# SINCE 1918

Since 1918, Sioux Steel Company is now in its fourth generation as a family-owned company. Based in Sioux Falls, South Dakota, we know the agricultural industry and know that you need high-quality, dependable products. Our mission continues to be not only to satisfy our customers, but we want them to be *delighted* to do business with us.



A+ RATING



196 1/2 E. 6th St. • Sioux Falls, SD • 1-800-557-4689 • [www.siouxsteel.com](http://www.siouxsteel.com)

